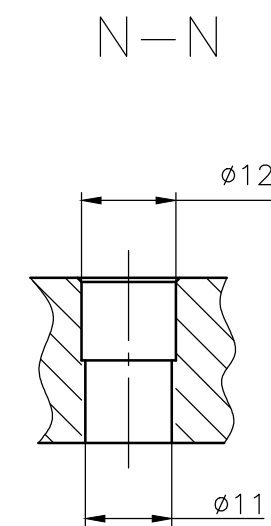
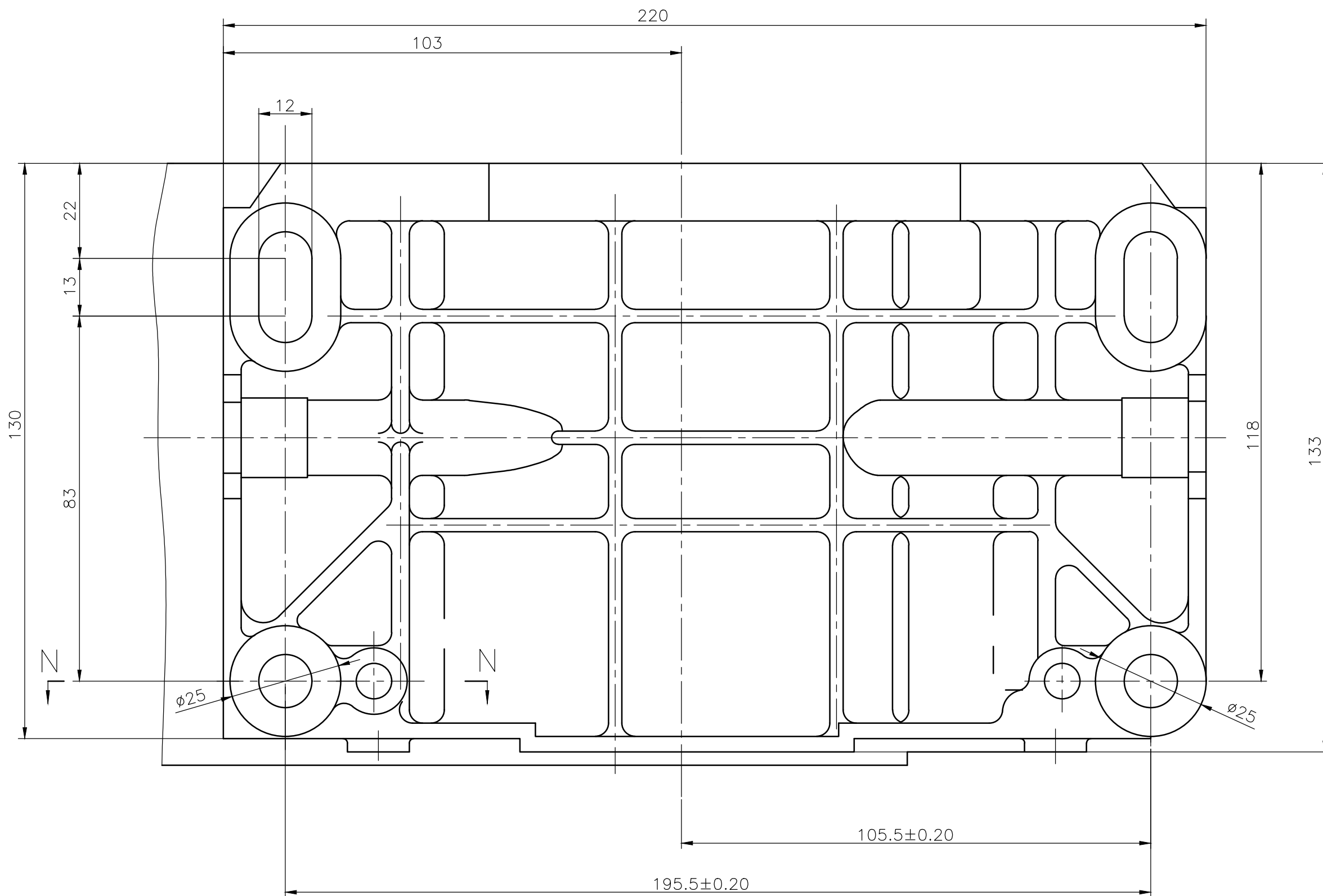


Crankcase Cover



Base Plate